

ORTAL

CORNER FIREPLACES:

SPECIFICATIONS & PRODUCT GUIDE

ORTAL

ebnicca

1. NOTES

The appliance must be installed in accordance with the ORTAL AU/NZ Installation Manual.

The appliance must be properly connected to an approved chimney venting system. Refer to the specific appliance installation guide to determine vent size and pathway requirements. In addition, adhere to the following pre-installation guidelines:

- Use an approved DuraVent flue system as specified
- Consult the relevant authority to determine the need for a permit prior to starting the installation.
- It is the responsibility of the installer to ensure that this fireplace is installed in compliance with the manufacturer's instructions and all the applicable building codes. Contact your local distributor / dealer for correct flue and flue termination information.
- Always used a licensed gas fitter / plumber to install the appliance

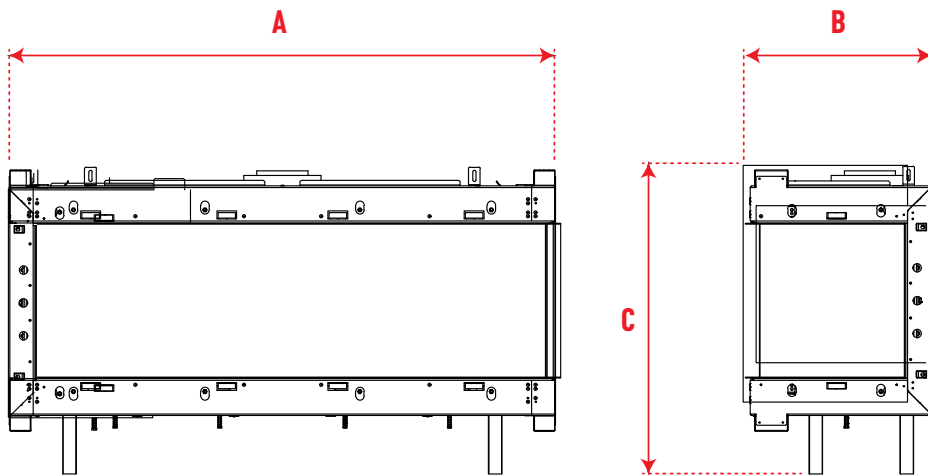
IMPORTANT:

THIS IS NOT AN INSTALLATION MANUAL. PLEASE REFER TO THE DETAILED INSTALLATION MANUAL DELIVERED WITH THE APPLIANCE.

2. SPECIFICATIONS

MODEL	BURNER TYPE	INJECTORS	NOMINAL GAS CONSUMPTION	INLET PRESSURE	MANIFOLD PRESSURE	TURNDOWN PRESSURE	FLUE SIZE
75 RS/LS	B45	Marked 650: with 7x0.950mm orifice	26MJ/h	1.13kPA	0.82kPA	0.23kPA	107/164mm
110 RS/LS	B100	Marked 1200: with 7x1.275mm orifice	37MJ/h	0.69kPA	0.73kPA	0.26kPA	125/205mm
110H RS/LS	B100	Marked 1200: with 7x1.275mm orifice	37MJ/h	0.69kPA	0.73kPA	0.26kPA	125/205mm
130 RS/LS	B100	Marked 1200: with 7x1.275mm orifice	37MJ/h	0.69kPA	0.73kPA	0.26kPA	125/205mm
130H RS/LS	B100	Marked 1200: with 7x1.275mm orifice	37MJ/h	0.69kPA	0.73kPA	0.26kPA	125/205mm
150 RS/LS	B135	Marked 1200: with 7x1.275mm orifice Marked 1400: with single 3.9mm orifice	55MJ/h	1.13kPA	0.61kPA	0.22kPA	125/205mm
150H RS/LS	B135	Marked 1200: with 7x1.275mm orifice Marked 1400: with single 3.9mm orifice	55MJ/h	1.13kPA	0.61kPA	0.22kPA	125/205mm
170 RS/LS	B135	Marked 1200: with 7x1.275mm orifice Marked 1400: with single 3.9mm orifice	55MJ/h	1.13kPA	0.61kPA	0.22kPA	125/205mm
170H RS/LS	B135	Marked 1200: with 7x1.275mm orifice Marked 1400: with single 3.9mm orifice	55MJ/h	1.13kPA	0.61kPA	0.22kPA	125/205mm
200 RS/LS	B160	Marked 800: with 7x1.05mm orifice Marked 1400: with single 3.8mm orifice	52MJ/h	1.13kPA	0.50kPA	0.22kPA	125/205mm
200H RS/LS	B160	Marked 800: with 7x1.05mm orifice Marked 1400: with single 3.8mm orifice	52MJ/h	1.13kPA	0.50kPA	0.22kPA	125/205mm
250 RS/LS	B160	Marked 800: with 7x1.05mm orifice Marked 1400: with single 3.8mm orifice	52MJ/h	1.13kPA	0.50kPA	0.22kPA	125/205mm
250H RS/LS	B160	Marked 800: with 7x1.05mm orifice Marked 1400: with single 3.8mm orifice	52MJ/h	1.13kPA	0.50kPA	0.22kPA	125/205mm

3. DIMENSIONS



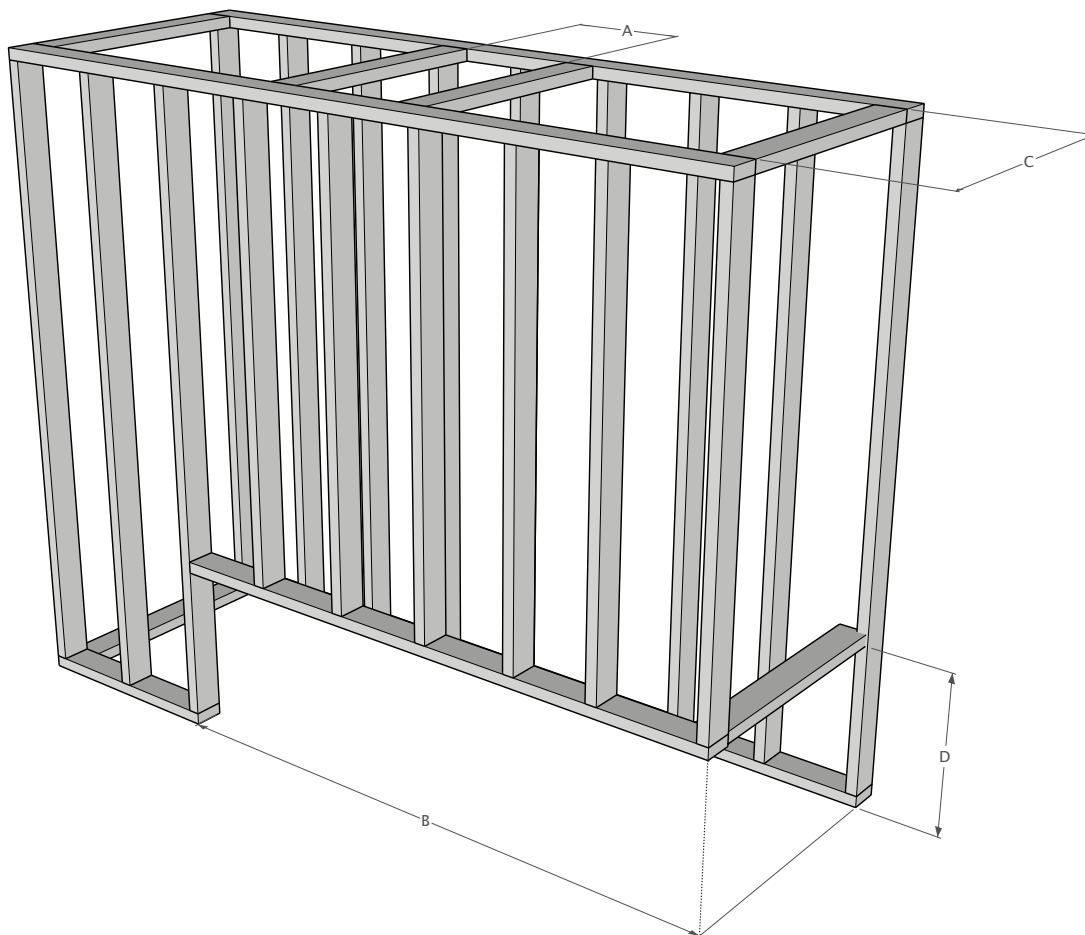
MODEL (all measurements in mm)	A WIDTH	B DEPTH	C HEIGHT	GLASS FRONT FRONT	GLASS SIDE SIDE
75 RS/LS	856	473	803	786 x 479	411 x 479
110 RS/LS	1251	484	757	1176 x 400	412 x 400
110H RS/LS	1256	527	930	1173 x 549	412 x 549
130 RS/LS	1419	484	757	1346 x 400	412 x 400
130H RS/LS	1426	527	930	1343 x 549	412 x 549
150 RS/LS	1670	484	757	1595 x 400	412 x 400
150H RS/LS	1675	527	930	1594 x 549	412 x 549
170 RS/LS	1870	484	757	1795 x 400	412 x 400
170H RS/LS	1875	527	930	1794 x 549	412 x 549
200 RS/LS	2110	484	757	2036 x 400	412 x 400
200H RS/LS	2116	527	930	2034 x 549	412 x 549
250 RS/LS	2610	484	757	2519 x 400	412 x 400
250H RS/LS	2616	527	930	2534 x 549	412 x 549

Note: Minimum height off of the floor for all front facing Ortal fireplaces is 210mm.
Appliance legs must not be removed.

4. FRAMING & CLADDING

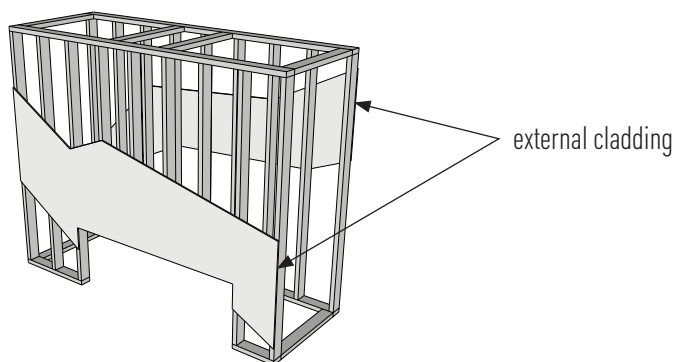
OPTION 1: METAL STUDS FRAMING

The frame must be designed to carry the entire weight of the finished wall with no component being supported by the fireplace.



MODEL (all measurements in mm)	A	B	C	D
75 RS/LS	222	910	527	826
110 RS/LS	254	1305	538	763
110H RS/LS	254	1310	581	953
130 RS/LS	254	1473	538	763
130H RS/LS	254	1480	581	953
150 RS/LS	254	1724	538	763
150H RS/LS	254	1730	581	953
170 RS/LS	254	1924	538	763
170H RS/LS	254	1930	581	953
200 RS/LS	254	2164	538	763
200H RS/LS	254	2170	581	953
250 RS/LS	254	2664	538	763
250H RS/LS	254	2670	581	953

CLADDING FOR METAL STUDS

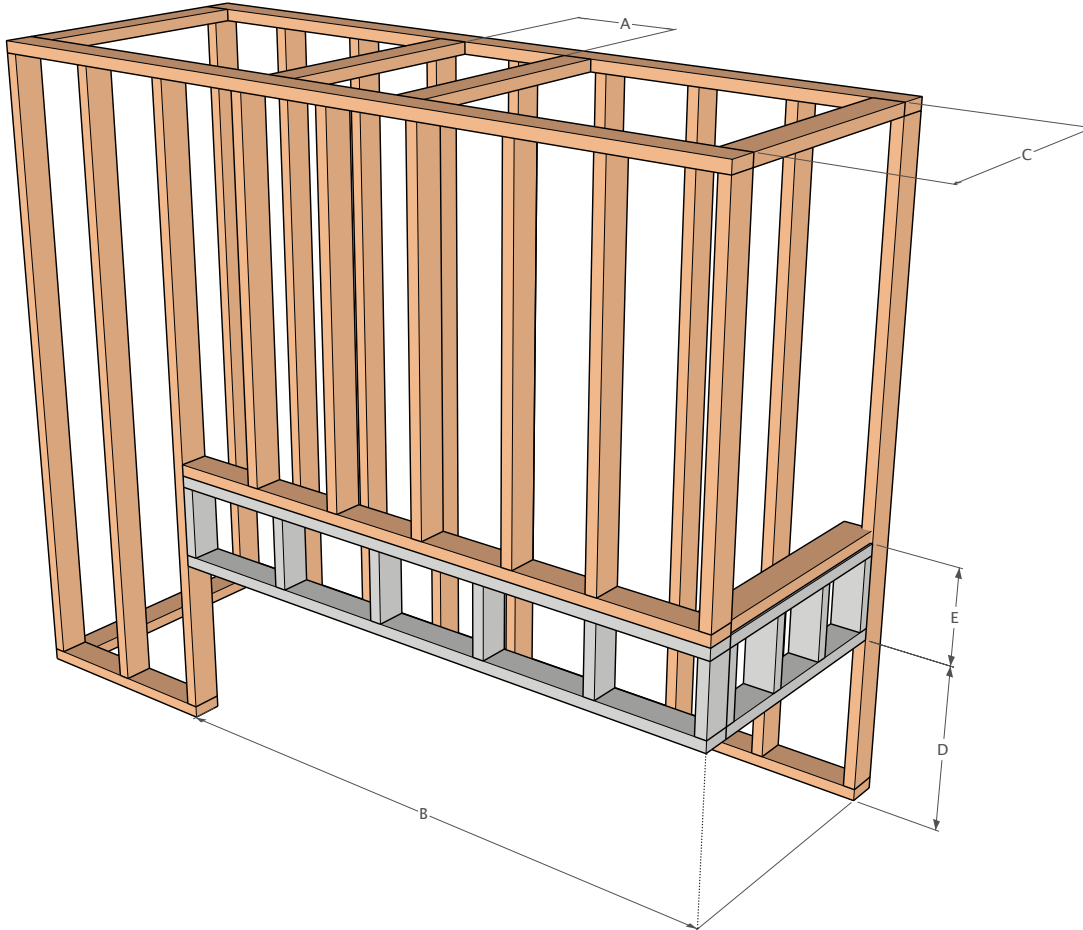


The framing structure must be clad **externally** with non combustible material and gaps sealed with a non-combustible fire proof sealant. We recommend the fireplace to be in position and flued prior to cladding.

4. FRAMING & CLADDING

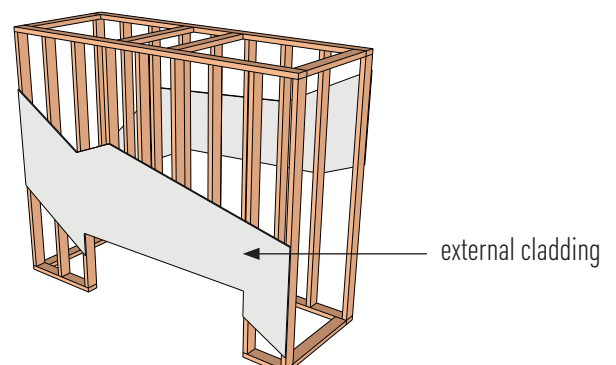
OPTION 2: TIMBER STUDS WITH METAL SECTION

The frame must be designed to carry the entire weight of the finished wall with no component being supported by the fireplace.



MODEL (all measurements in mm)	A	B	C	D	E
75 RS/LS	222	910	527	826	457
110 RS/LS	254	1305	538	763	520
110H RS/LS	254	1310	581	953	457
130 RS/LS	254	1473	538	763	520
130H RS/LS	254	1480	581	953	457
150 RS/LS	254	1724	538	763	520
150H RS/LS	254	1730	581	953	457
170 RS/LS	254	1924	538	763	520
170H RS/LS	254	1930	581	953	457
200 RS/LS	254	2164	538	763	520
200H RS/LS	254	2170	581	953	457
250 RS/LS	254	2664	538	763	520
250H RS/LS	254	2670	581	953	457

CLADDING FOR TIMBER STUDS WITH METAL SECTION



The framing structure must be clad **externally** with non combustible material and gaps sealed with a non-combustible fire proof sealant. We recommend the fireplace to be in position and flued prior to framing/cladding.

We recommend using 16mm Gypsum fire rated plasterboard or its equivalent for the enclosure of the fireplace chase.

5. VENTING

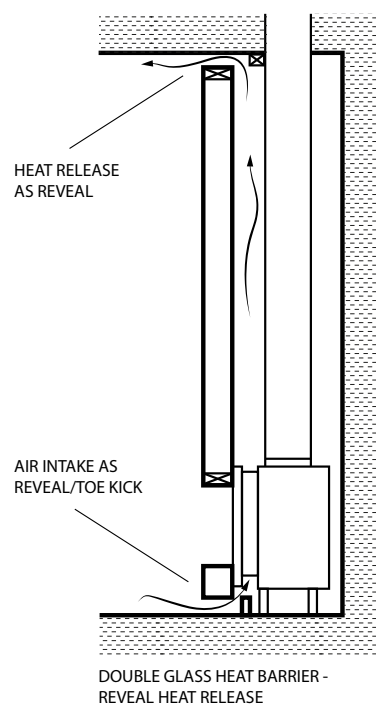
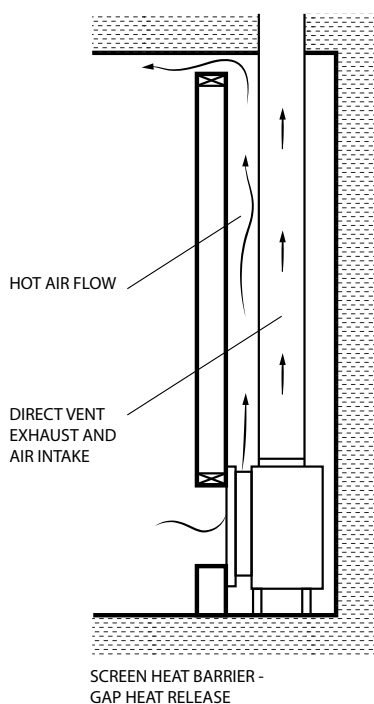
VENTING (convection air intake)

For mesh units:

- No need to create a convection air intake as the appliance is designed to supply fresh air through the viewing panel.

For double glass units:

- Convection air intake vents are required at the bottom of the cavity and can be placed at the front, side or back of the cavity.



VENTING (Convection air outlet)

A convection air outlet is required for all Ortal fireplaces. This allows for heat building up within the fireplace cavity to be released back into the space, helping to keep the cavity walls cool. It must be located at the top of the fireplace cavity and be placed at a maximum of 150mm below the cavity ceiling. The vent can be located on the front, sides or back of the fireplace cavity, as long as it releases into an interior space and not outdoors.

MODEL	Heat release vent (min surface)
60 to 130	0.08m ²
150 to 200	0.13m ²
250	0.16m ²

These are minimum requirements and the surface can be greater if desired.

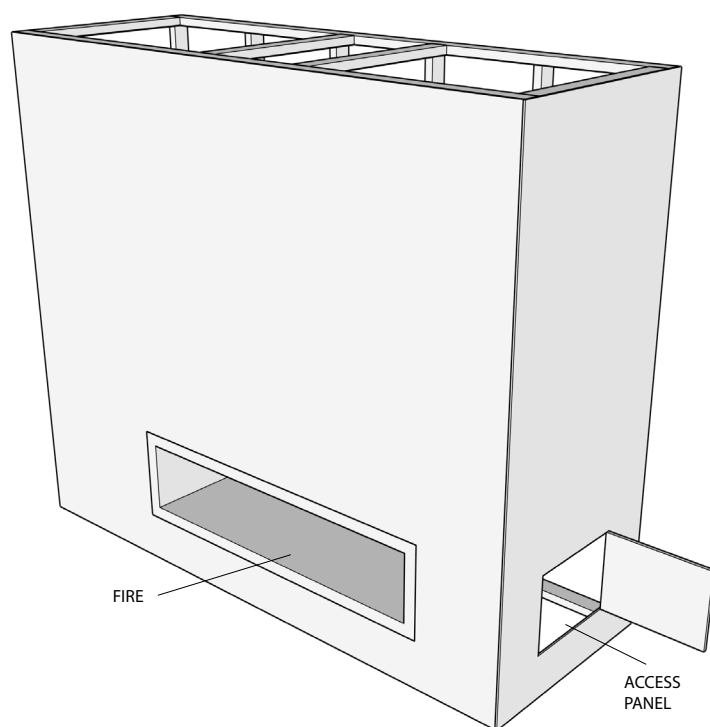
6. ACCESS PANEL

Access panels are recommended for all ORTAL fireplaces. They allow efficient and comfortable access to the fireplace receiver and valves, which is required for servicing purpose.

Access panels can be designed and positioned to minimise their visual impact as long as access to the valves and receiver is maintained. The size of the access panel may vary, but in all cases must allow the fireplace technician to effectively conduct a service. We recommend a minimum size of 200x200mm.

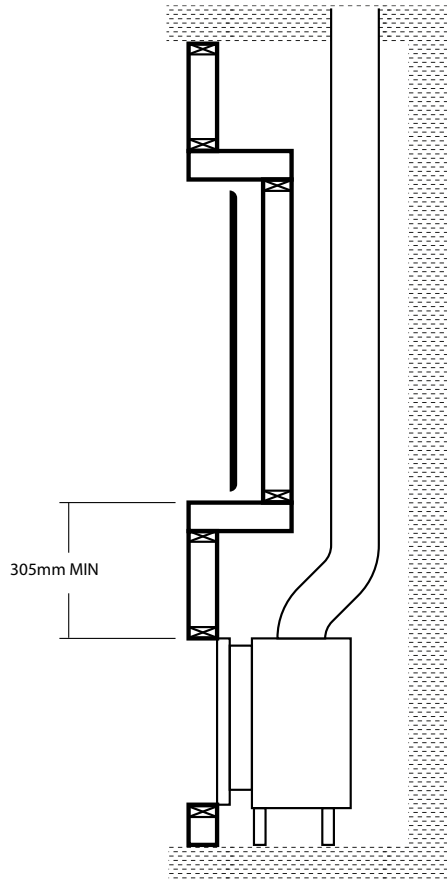
However, access panels are not the only option for servicing the fireplace operation mechanisms. A technician may also service the fireplace controls by going through the firebox. This procedure requires removing the glass panel(s), taking out the interior media and lifting the grill, burner and bottom side (explosion valve) of the unit. The technician would then return all these fireplace components when service is complete. The servicing procedure will take longer than through an access panel.

Fireplace installers are advised to consult with their clients, project architects or interior designers regarding the advantages and disadvantages of each service option.

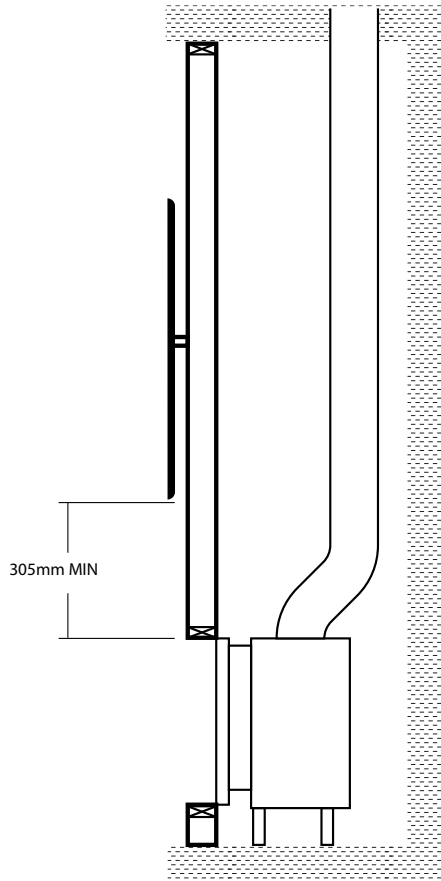


7. TV CLEARANCES

RECESSED INSTALLATION



FLUSH INSTALLATION



8. TESTING

THE ORTAL DECORATIVE ROOM SEALED GAS APPLIANCES HAVE BEEN TESTED AND APPROVED BY AGA & IAPMO-R&T FOR USE WITH NATURAL GAS (NG).

Australian Standard AS5263-0:2016 - Decorative Gas Log and Other Fuel Effect Appliances

Patent Pending for screen barrier glass bracket: USSN 60/040,074